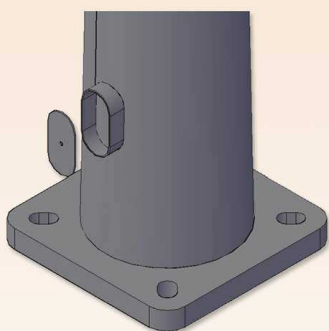


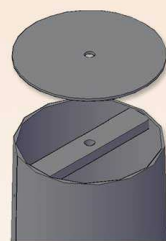
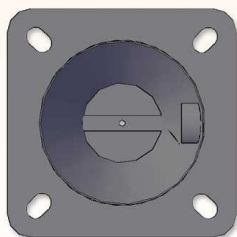
# Tapered Poles

## Round Tapered Poles

Pole Shaft Size				80 MPH w/ 1.3 Gust		90 MPH w/ 1.3 Gust		100 MPH w/ 1.3 Gust	
Nominal Mounting Height (ft)	Base OD (in)	Top OD (in)	Wall Thk (ga)	Max EPA (ft <sup>2</sup> )	Max Weight (lbs)	Max EPA (ft <sup>2</sup> )	Max Weight (lbs)	Max EPA (ft <sup>2</sup> )	Max Weight (lbs)
20.0	5.9	3.1	11	19.3	482	15.1	482	12.2	305
20.0	6.5	3.7	11	24.2	605	19.3	482	15.6	390
25.0	5.9	2.4	11	12.5	312	9.9	247	8.0	200
25.0	7.0	3.5	11	20.3	507	16.2	405	13.1	327
25.0	7.0	3.5	7	30.5	760	24.0	625	19.8	495
30.0	6.6	2.4	11	11.7	292	9.3	232	7.5	187
30.0	8.0	3.8	11	18.9	473	14.9	373	12.0	300
30.0	8.0	3.8	7	33.5	838	27.0	675	22.0	550
35.0	7.3	2.4	11	11.2	280	809.0	222	7.1	177
35.0	8.5	3.6	11	18.9	472	15.1	377	12.2	305
35.0	9.5	4.6	11	23.2	580	18.2	455	14.5	363
39.0	7.8	2.4	11	10.7	267	8.5	212	6.6	165
39.0	9.0	3.6	11	17.2	430	13.5	338	10.8	270
39.0	9.0	3.6	7	28.5	715	23.0	575	19.0	475
45.0	10.0	3.7	11	17.4	435	13.5	338	10.6	265
45.0	10.0	3.7	7	28.5	715	23.0	575	19.0	475
45.0	11.0	4.7	7	35.7	893	28.0	700	22.3	558
50.0	10.0	3.0	11	13.2	330	10.6	265	8.3	208
50.0	10.0	3.0	7	20.5	512	16.5	412	13.6	340
50.0	11.0	4.0	7	29.9	748	23.5	588	18.6	465
50.0	13.0	6.0	7	50.4	1260	39.7	992	31.4	785
50.0	13.0	6.0	3	69.2	1730	55.0	1375	44.2	1105



Base Plate and Hand Hole Details



Pole Cap or Tenon Mount

